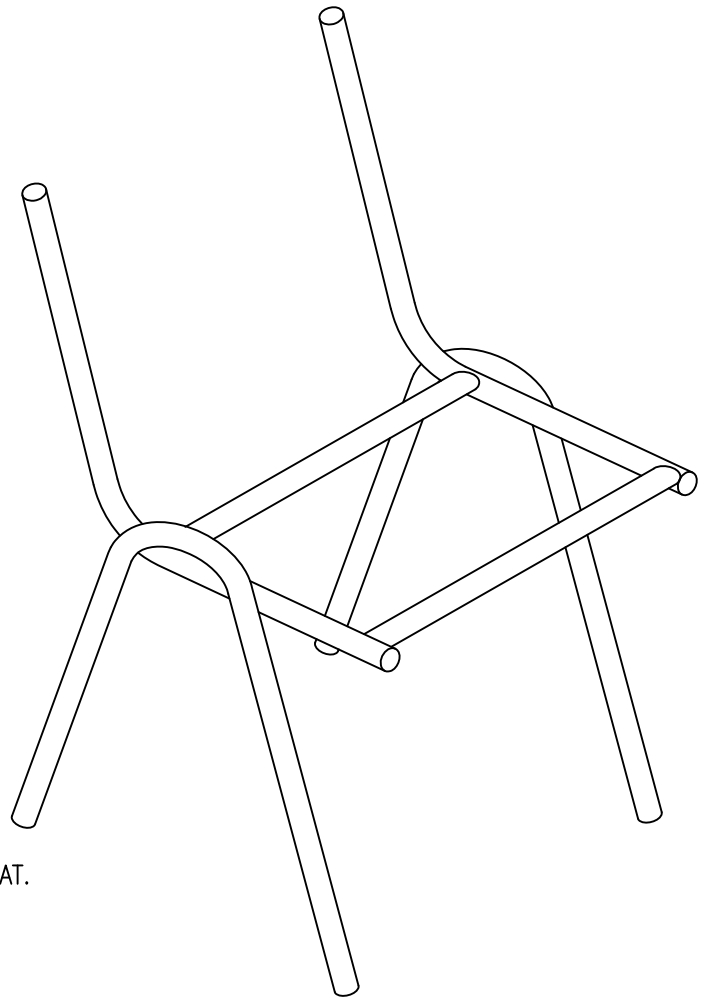
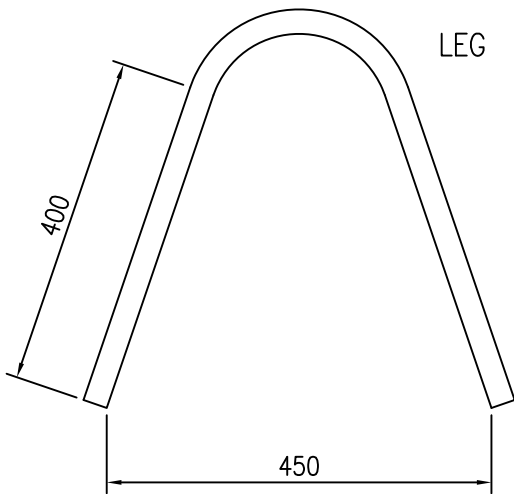
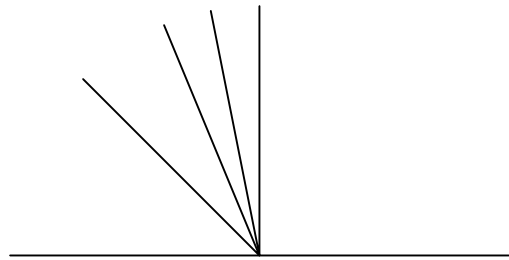
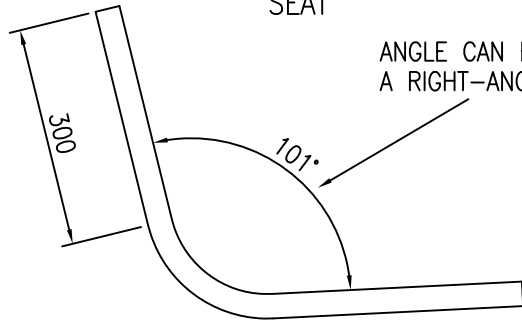
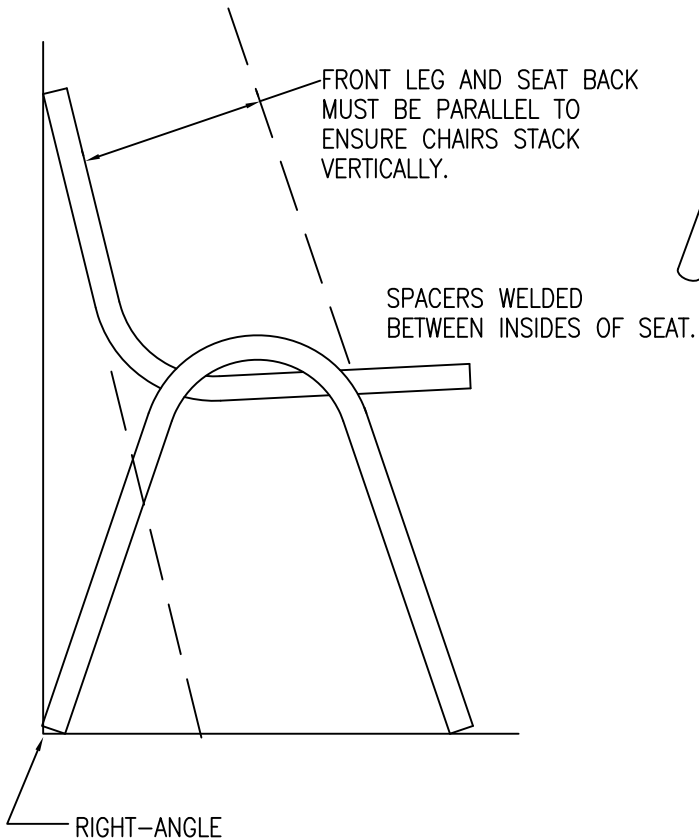


DETAILS



ASSEMBLY



| | |
|---------------------------|--------------|
| ApT STACKING CHAIR | |
| TITLE: DETAILS & ASSEMBLY | |
| SCALE: 1:10 | |
| DRAWN: ABATEC | PAGE: 1 of 2 |
| CAD No: APT-12-1 | |

| No. | DESCRIPTION | QUANTITY | DIMENSIONS |
|-----|---------------|----------|---|
| A | LEG | 2 | 20 DIA. FURNITURE TUBE x 1050 |
| B | SEAT | 2 | 20 DIA. FURNITURE TUBE x 700 |
| C | SPACER | 2 | 20 DIA. FURNITURE TUBE x 350 |
| D | SEAT PLATFORM | 1 | 5 PLYWOOD OR 18 GAUGE SHEET STEEL x 260 x 390 |
| E | BACK PLATFORM | 1 | 5 PLYWOOD OR 18 GAUGE SHEET STEEL x 160 x 390 |

| | |
|--------------------|--------------|
| ApT STACKING CHAIR | |
| TITLE: PARTS LIST | |
| SCALE: | |
| DRAWN: ABATEC | PAGE: 2 of 2 |
| CAD No: APT-12-2 | |